



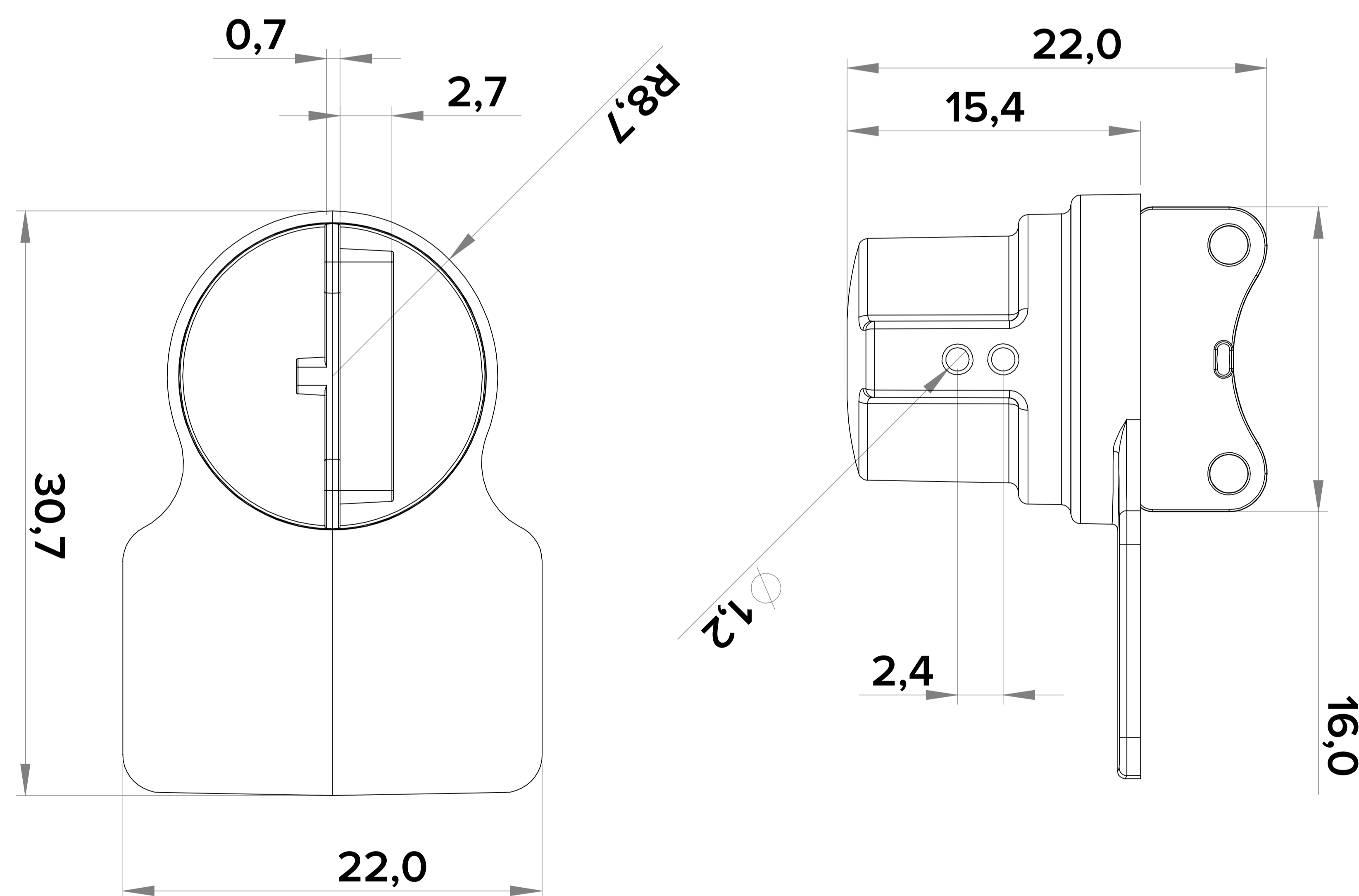
TWISTEIRO

TAMPER-EVIDENT ROTOR SEAL

Description:

- Made of polycarbonate
- Operation temperature: -50°C / +120°C
- Company logo and 8-digit sequential numbering
- Laser marking through the thickness of the material
- Ratchet mechanism with 2-blade rotor
- Dimension specifications: 30.7x22x22 mm (1.21x0.87x0.87")
- Diameter of holes: 1.2 mm (0.047")

Color options:



Package:	Size:	Quantity:	Weigh:
Package of	-	100 pcs.	-
Corrugated box:	310×210×140mm (12.21x8.27x5.51")	0100-500 pcs.	0-1,4 kg (0-6.17 lbs.)
Corrugated box:	450×330×220mm (17.72x12.99x8.66")	501-1,500 pcs.	1,4-4,3 kg (6.17-21.6 lbs.)
Corrugated box:	460×380×330mm (18.11x14.17x12.99")	1,501-2,500 pcs.	4,3-7 kg (21.6-32.19 lbs.)