



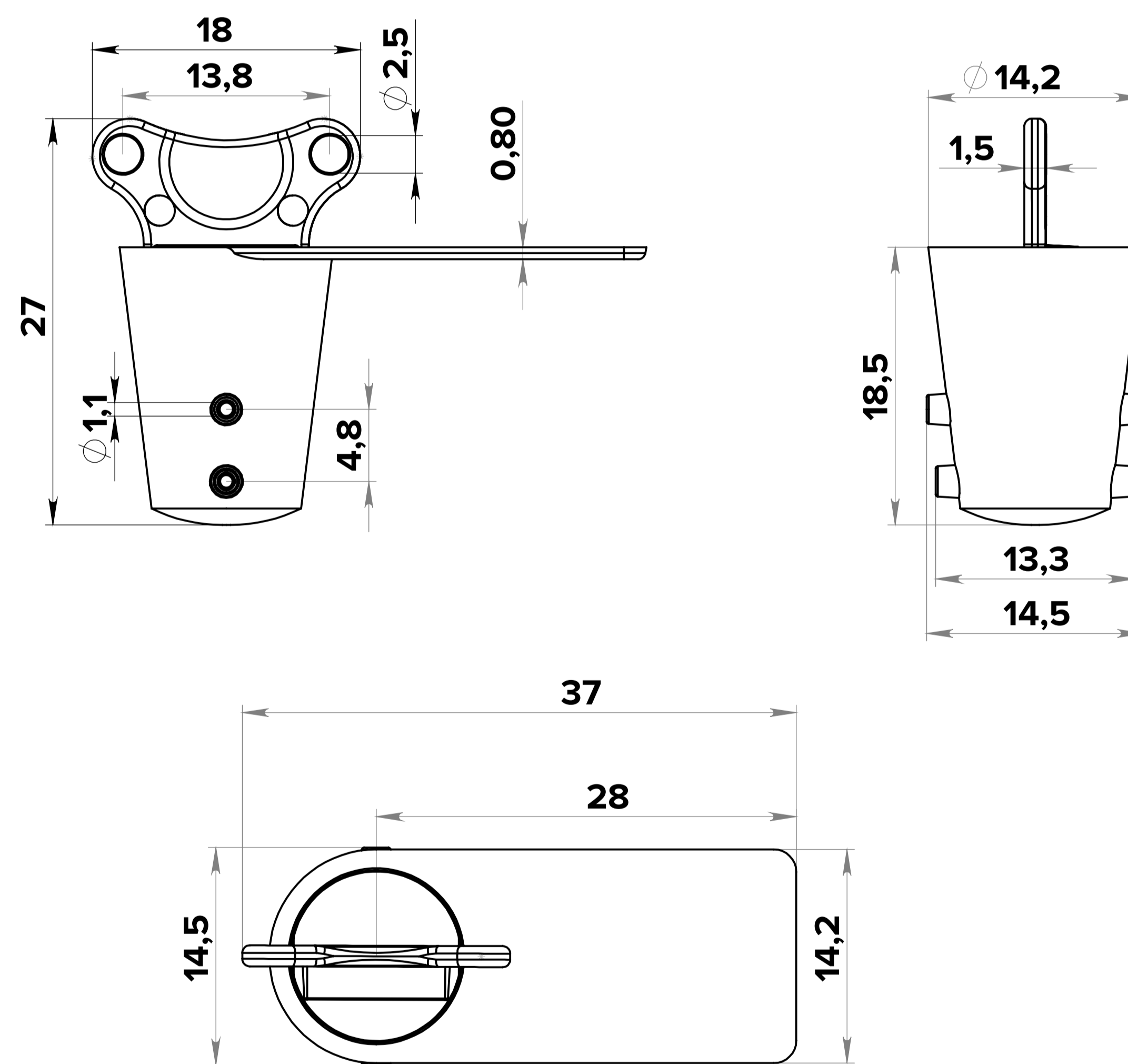
## LUMISEAL

### TAMPER-EVIDENT ROTOR SEAL

#### Description:

- Made of polycarbonate
- Company logo and 8-digit sequential numbering
- Laser marking through the thickness of the material
- Operation temperature: -50°C / + 120°C
- Glowing under UV rays

#### Color options:



Package:	Size:	Quantity:	Weight:
Box	310×210×140mm (12.21×8.27×5.51")	0001-1,000 pcs.	0-2.4 kg (0-5.29 lbs.)
Box	380×285×335mm (15×11.2×13.2")	1,000-3,000 pcs.	2.4-7.5 kg (5.29-16.54 lbs.)
Box	460×360×330mm (18.11×14.17×12.99")	3,000-5,000 pcs.	7.5-12 kg (16.54-26.46 lbs.)