



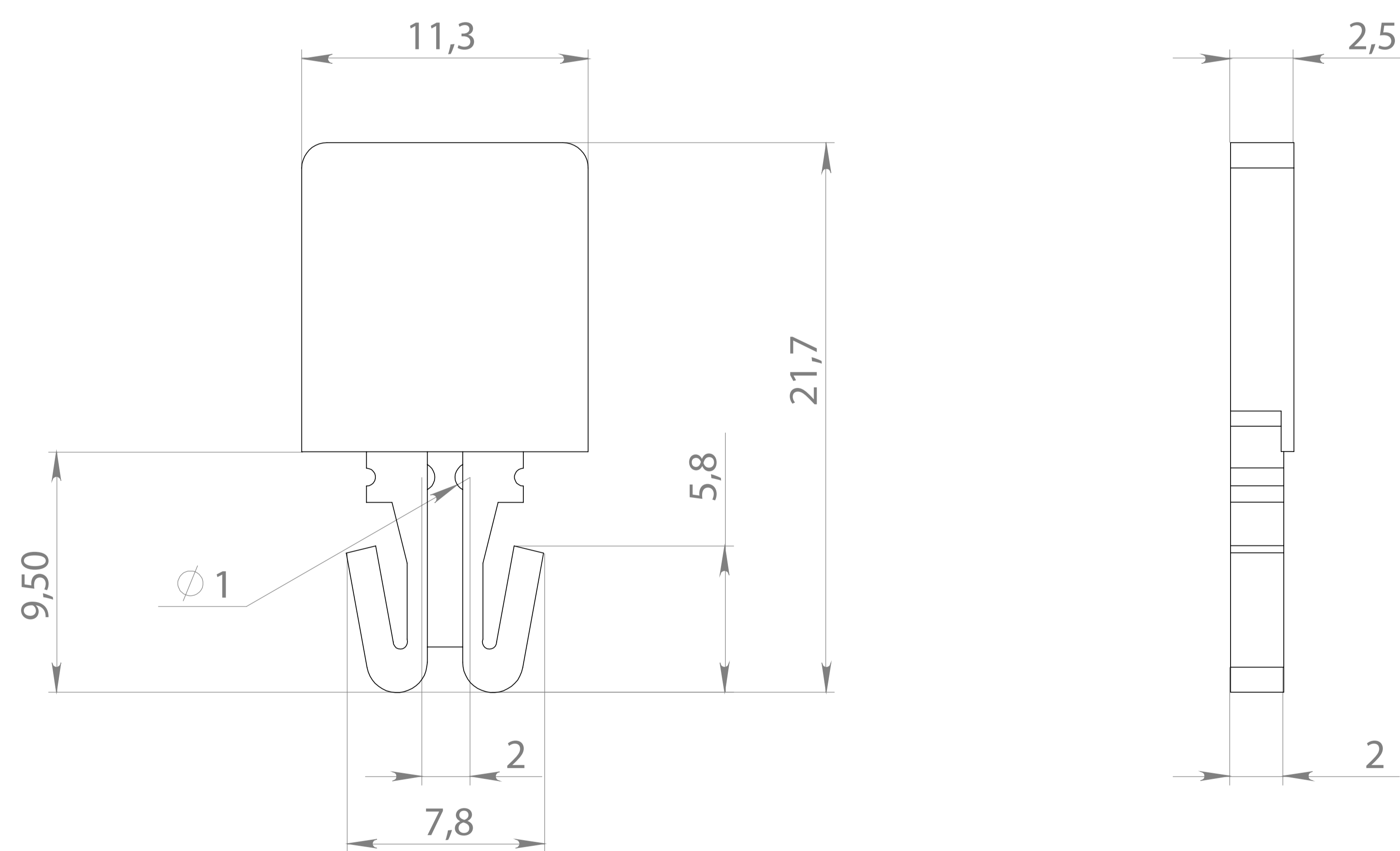
MINISEAL

TAMPER-EVIDENT SEAL

Description:

- Made of ABS plastic
- Operating temperature: from -40°C to + 75°C
- Construction: monolithic plastic seal
- Laser marking through the thickness of the material
- Terms of Use: used together with key cases

Color options:



| Package: | Size: | Weight: |
|-----------------------------|----------------------|---------------------|
| Packing by 1000 pcs per box | 21,5 x 11,0 x 2,5 cm | gross weight 0.5 kg |